

SPECIFICATION

Product Name: Casambi Dimmable LED driver

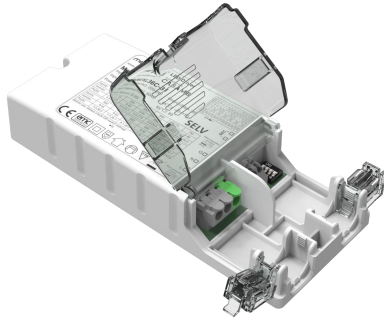
Model No.: KL36C-B1

Issue Date: June 17, 2025

CUSTOMER APPROVED

Version	Product Name / Product Model	Reason / content for change	Stage	Date
A0	KL36C-B1 Casambi LED driver		Design verification	2025-03-24
A1	KL36C-B1 Casambi LED driver	Fix Bug		2025-06-17

Specification for Casambi Dimmable LED Driver KL36C-B1 C.C.



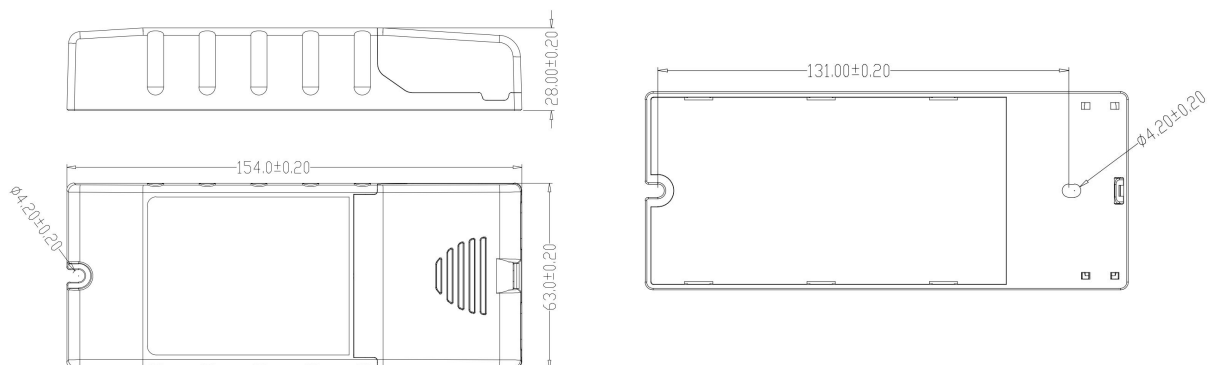
- Comply with Casambi smart lighting system
- Flicker-free for whole dimming range
- Stand-by power below 0.5W
- Protection: short circuit / over temperature/ over voltage
- Derating current for over high ambient temperature
- 5 year warranty

1. Parameters

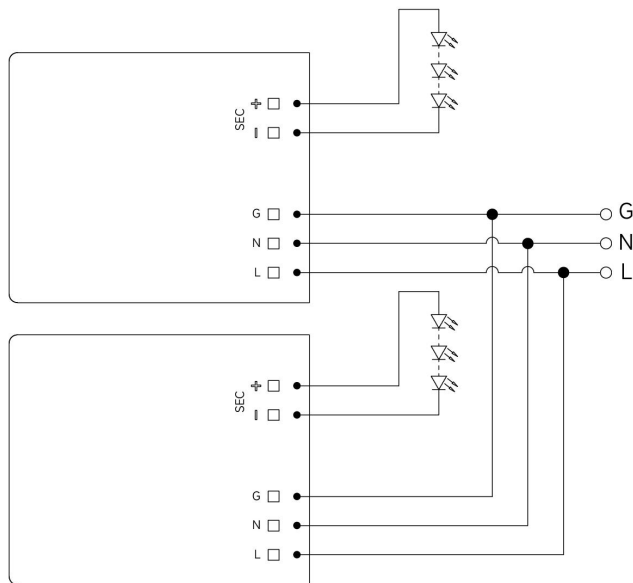
Input	Operating Voltage	198-264Vac 50Hz/60Hz						
	Rated Input Voltage	220-240Vac 50Hz/60Hz						
	DC Input Voltage range	200-240Vdc						
	Input Current	0.2A Max.						
	Input Inrush Current	<15A (Half current pulse width 100µs) @230Vac						
	Power factor(@230V100% load)	≥ 0.95						
	Total harmonic distortion	Typical:15% (@230Vac, 100% load)						
	Stand-by power	≤ 0.5W (@230Vac)						
	Efficiency(@230Vac,100% load)	87% Max.						
	Wiring Method	Wire cross section: 0.75-2.5mm ²						
	Automatic circuit breaker (Calculate current in the wire)	type	B10	B13	B16	B20	B25	/
Number		20	25	35	45	55	/	
type		C10	C13	C16	C20	C25	C32	
Number		35	50	55	75	95	120	
Output	Operating mode	Constant Current						
	Load type	LED						
	Ripple requirement (Flickering or Flickering-Free)	Flicker value: less than 2% for whole dimming range						
	Start up time	<1s (@230Vac)						
	No-load output voltage	58V DC Max.						
	Load output voltage range	9-46V DC						
	Full load output power	36W Max.						
	Load output current	500mA(9-46Vdc) 550mA(9-46Vdc) 600mA(9-46Vdc) 650mA(9-46Vdc) 700mA(9-46Vdc) 750mA(9-46Vdc) 800mA(9-45Vdc) 850mA(9-42Vdc) 900mA(9-40Vdc) 950mA(9-38Vdc) 1000mA(9-36Vdc) 1050mA(9-34Vdc)						
	Constant current/voltage Precision	Constant Current Precision ±5%						
	Wiring method	Wire cross section: 0.75-1.5mm ²						

Control Method	Working frequency	2.4-2.48GHz
	Transmitting power	+8dBm (Max.)
	Transmission distance	Point-to-point transmission range 30m Max.
	Modulation mode	O-QPSK PHY
Exception Protection Requirements	Output over temperature protection	Yes, without self recovery function
	Output short circuit protection	Yes, without self recovery function
Operating Environment	Operating temperature/ humidity	-25℃~50℃ Humidity: 85% (Non-condensing)
	Storage temperature/ humidity	-40℃~80℃, Humidity: 85% (Non-condensing)
	Max. case temp (Tc)	85℃
Safety & EMC	EMC standard	EN55015 EN61547 EN61000-3-2 EN61000-3-3
	Safety standard	EN61347-1 EN61347-2-13
	Certification	CE
	Withstand voltage	3750Vac, 5mA, 60s (Input "L N"- Output "SEC")
Others	Degrees of protection	IP20
	Type of protection	Class I
	Installation type	Independent installation
	Dimension	154*63*28mm
	Packaging requirement	PE bag + white box + manual + partition + outer box (K=A)
	Weight	166±5g
	Life	5 year @Ta full load
Note: All parameters are tested at the input voltage of 230Vac and 25 degree environment unless specified.		

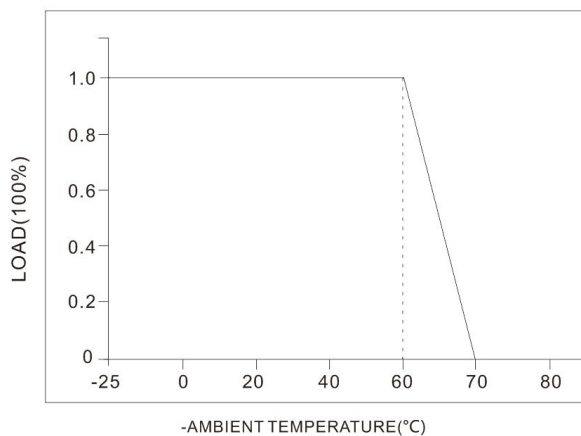
2. Dimension (Unit: mm)



3. Wiring Diagram



4. Derating



5. APP download



Scan the code to download Casambi APP

6. Current gear setting:

Current(mA)	DIP				Pomax (W)	Uout (V)
	1	2	3	4		
500	-	-	-	-	23.0	9~ 46
550	ON	-	-	-	25.3	9~ 46
600	-	ON	-	-	27.6	9~ 46
650	ON	ON	-	-	29.9	9~ 46
700	-	-	ON	-	32.2	9~ 46
750	ON	-	ON	-	34.5	9~ 46
800	-	ON	ON	-	36.0	9~ 45
850	ON	ON	ON	-	35.7	9~ 42
900	-	-	ON	ON	36.0	9~ 40
950	ON	-	ON	ON	36.1	9~ 38
1000	-	ON	ON	ON	36.0	9~ 36
1050	ON	ON	ON	ON	35.7	9~ 34

7. Matters Needing Attention

- 1) The LED string must be connected to the load before turning on the input power, otherwise the LED string may be damaged.
- 2) After the LED drive input is powered off, there will be a residual voltage at the output, which can be maintained for about 3 minutes.